



## WARNING!

Please read this owner's manual before taking your new DIAMONDBACK FIREARMS product out of the box. It is vital to your safety and the safety of others that you understand and adhere to the information contained in this manual, as well as information supplied by the manufacturer of the ammunition. If you have any questions, please call or write to:

DIAMONDBACK FIREARMS, LLC  
3400 Grissom Pkwy. Cocoa, FL 32926  
877.997.6774



DIAMONDBACK  
FIREARMS

DIAMONDBACK  
**SIDEKICK**



### Safety and Handling Instructions

**IMPORTANT: Dry Firing the Diamondback Sidekick Will Void Your Firearm's Warranty.**

# CONTENTS

---

<b>INTRODUCTION</b>	<b>1</b>
<b>SAFETY INFORMATION</b>	<b>2</b>
<b>LOADING AND FIRING</b>	<b>6</b>
<b>UNCOCK (DECOCK) PROCEDURE</b>	<b>8</b>
<b>CYLINDER REMOVAL</b>	<b>10</b>
<b>CYLINDER REINSTALLATION</b>	<b>12</b>
<b>MAINTENANCE/LUBRICATION</b>	<b>13</b>
<b>CYLINDER BLAST WARNING</b>	<b>14</b>
<b>UNUSUAL CONDITIONS</b>	<b>15</b>
<b>SAFE FIREARMS HANDLING</b>	<b>16</b>
<b>WARNING</b>	<b>17</b>
<b>SERVICE</b>	<b>18</b>
<b>INSTALLING EXTERNAL LOCKING DEVICE</b>	<b>19</b>
<b>LIMITED LIFETIME WARRANTY</b>	<b>20</b>
<b>SIDEKICKS EXPLODED VIEW WITH PARTS LIST</b>	<b>22</b>
<b>NOTES</b>	<b>25</b>

# INTRODUCTION

---

## CONGRATULATIONS!

You are now the owner of a DIAMONDBACK FIREARMS revolver. With proper maintenance and care, it will serve you for many years to come.

To ensure the best performance from your revolver, please read and follow the instructions in this manual. Firearms are inherently dangerous and great emphasis should be placed on the need for safety. Always remember that you, as the owner, are the ultimate safety device.

You should become familiar with your revolver and its operation before using any live ammunition or actual firing. Study the instructions carefully and make sure you understand the firearm's operational guidelines.

This manual provides the necessary information you need to know in order to use your revolver safely and effectively. Should you have any questions or comments about this revolver or its use and maintenance, or if you need more information about other DIAMONDBACK FIREARMS products and accessories, please write or call:

**DIAMONDBACK FIREARMS, LLC**  
Customer Service Dept.  
3400 Grissom Pkwy.  
Cocoa, FL 32926  
877.997.6774

### **California Proposition 65 Warning**

"Discharging firearms in poorly ventilated areas, cleaning firearms, or handling ammunition may result in exposure to lead and other substances known to cause birth defects, reproductive harm, and other serious physical injury. Have adequate ventilation at all times. Wash hands thoroughly after exposure."

# SAFETY INFORMATION

---

Before you remove your new DIAMONDBACK FIREARMS revolver from the box, please read the following information. It is vital to both your safety and the safety of others.

## **Firearm safety is your responsibility.**

This **SAFETY & HANDLING INSTRUCTIONS** manual should always accompany this firearm, and should be transferred with the firearm upon change of ownership or when the firearm is presented to another person.

**WARNING: YOU MUST FOLLOW ALL OF THESE SAFETY RULES TO ENSURE THE SAFE USE OF YOUR FIREARM. FAILURE TO FOLLOW THE INSTRUCTIONS AND WARNINGS CONTAINED IN THIS MANUAL COULD CAUSE SERIOUS INJURY OR DEATH TO YOU OR OTHERS. DAMAGE TO PROPERTY MAY ALSO OCCUR.**

**ALWAYS KEEP YOUR FIREARM POINTED IN A SAFE DIRECTION.** Never point a firearm at anyone or anything you do not intend to shoot, whether or not the firearm is loaded. This is particularly important when loading, unloading, or field-stripping the gun. **ALWAYS** control the direction of the firearm.

This firearm may be classified as a dangerous weapon and is surrendered by DIAMONDBACK FIREARMS, LLC with the understanding that the purchaser assumes all liability resulting from unsafe handling or any action that constitutes a violation of any applicable laws or regulations. Firearms can cause serious injury or death. Safety must be the prime consideration of anyone who handles firearms. Always treat a firearm as though it were loaded. Always keep the muzzle pointed in a safe direction.

---

When assuming ownership of a firearm, you become responsible for the safety and security of the firearm. Always secure firearms and keep out of the reach of children.

Children are attracted to and can operate firearms that can cause severe injuries or death. Prevent child access by keeping guns locked away and unloaded when not in use. If you keep a loaded firearm where a child obtains and improperly uses it, you may be fined or sent to prison.

**ALWAYS TREAT EVERY FIREARM AS IF IT WERE LOADED AND WILL FIRE.** Do not take anyone's word that the firearm is unloaded: always check for yourself. Never pass your firearm to another person until the cylinder or action is open and you confirm visually that it is unloaded. Keep your firearm unloaded and safely stored when not in use.

**NEVER PLACE YOUR FINGER INSIDE THE TRIGGER GUARD OR ON THE TRIGGER UNLESS YOU INTEND TO FIRE.**

**ALWAYS BE SURE OF YOUR TARGET AND WHAT IS BEYOND IT.** Always be sure where the bullet will strike, and shoot only where there is a safe backstop free of obstructions. Water or other surfaces can cause ricochets. Be sure your bullet will stop behind your target. Bullets can ricochet off many surfaces, such as rocks, and travel in unpredictable directions with considerable velocity. Do not fire randomly into the sky.

Make sure your "audience" maintains a minimum safe distance of five feet behind you. No one should stand next to you when you are firing a firearm.

**GUN SAFETY IS YOUR RESPONSIBILITY.**

# SAFETY INFORMATION

---

- **Never alter any components of your firearm.**
- **Never keep a loaded firearm in your home, car, boat, or RV.**
- **Never store a firearm with a cartridge in the chamber.**
- **Never store firearms and ammunition together. Keep them secured and away from children.**

**For maximum safety when carrying any revolver with a loaded cylinder, the hammer should be in the uncocked position. Any gun may fire if dropped or struck.**

Only use clean, dry, high-quality commercially manufactured ammunition, that is in excellent condition and is the correct caliber for your revolver.

Poor-quality ammunition may not meet industry specifications (SAAMI and/or NATO), may exceed pressure limits, and may be unsafe.

Never use ammunition where the pressure levels exceed industry standards. DIAMONDBACK FIREARMS, LLC will not be held liable for any personal injury or property damage and consequential damages if faulty ammunition is used in DIAMONDBACK FIREARMS revolvers.

Never take medications, drugs, or alcohol when handling firearms.

---

Never discharge a firearm without wearing proper protective equipment. Always wear shooting glasses and hearing protection.

If the gun does not discharge after the trigger is pulled, do not change its direction for at least 30 seconds. The round could be a “hangfire”. Upon firing a shot, if the gun’s report sounds different or the recoil feels different, unload the firearm and make sure the barrel is free from obstruction before continued firing.

Do not allow anyone to handle or attempt to fire a DIAMONDBACK FIREARM until they have read and understand this manual and the procedures for safe operation and safe gun-handling.

Be sure that all accessories are compatible with the firearm and that the accessories do not interfere with safe operation.

Never cross obstacles such as fences or streams with a loaded firearm.

Before the revolver left the factory, this firearm was tested, carefully inspected and packaged. DIAMONDBACK FIREARMS, LLC cannot control product handling after it leaves the factory; therefore, please examine this firearm carefully at the time of purchase to ensure that it is unloaded and undamaged.

**The use of NON-SAMMI Spec ammunition will void the firearms warranty.**

# LOADING AND FIRING

---

**WHEN LOADING A DIAMONDBACK FIREARMS REVOLVER, ALWAYS BE SURE THAT THE REVOLVER IS POINTED IN A SAFE DIRECTION AND THAT THE TRIGGER FINGER IS OUTSIDE OF THE TRIGGER GUARD AND WELL AWAY FROM THE TRIGGER.**

**USE ONLY AMMUNITION OF THE PROPER CALIBER, AS SPECIFIED ON THE FIREARM.**

1. Be sure the hammer is forward.
2. Hold revolver in right hand with index finger of your left hand against the front of the ejector latch housing. With left thumb move ejector latch to the extreme forward position. For short barrel models without an ejector latch, locate the knurled feature on the ejector rod. This is a textured area designed to make it easier to grip and manipulate. Place your index finger and thumb on either side of the knurled feature. Pull the ejector rod forward towards the muzzle.

**(ENSURE THAT YOUR HANDS AND FINGERS ARE CLEAR OF THE MUZZLE WHEN USING THE LATCH).**

At the same time, swing out the cylinder to the left by pressing right index finger against it. (See Figure 1.1 & Figure 1.2).

3. Insert one .22 caliber cartridge into each of the nine chambers of the cylinder.
4. Return cylinder to frame by pressing thumb against cylinder. Do not push ejector latch forward when closing the cylinder. The revolver is now ready to fire.
5. The revolver may be fired double action merely by pulling the trigger for each shot.
6. Target shooting, or other shooting which demands enhanced accuracy, which can be done using single action. For single-action shooting, pull back the hammer to the cocked position prior to firing each shot.
7. To unload the revolver or to remove fired cartridge cases, first open the cylinder as previously described in step #2. Once cylinder is open, depress the ejector rod toward the rear. (See Figure 2.)

**Dry firing the Diamondback Sidekick will void your firearm's warranty.**



---

The **DIAMONDBACK FIREARMS** revolver is now ready to fire. **DO NOT PUT YOUR FINGER INSIDE THE TRIGGER GUARD OR NEAR THE TRIGGER UNTIL YOU HAVE IDENTIFIED YOUR TARGET AND INTEND TO SHOOT.**

**IF YOU PULL THE TRIGGER THE REVOLVER WILL FIRE. Hold the revolver firmly when shooting.**



# UNCOCK (DECOCK) PROCEDURE ---

- 1. Make certain that the revolver is pointed in a safe direction throughout this entire process, as always.**
- 2. Before attempting to decock the hammer, ensure that both hands are dry (not slippery) and not impeded in any way by gloves, bandages, being too cold, etc.**
- 3. With your usual “shooting hand”, grasp the revolver’s grip as though you would for normal firing, but KEEP YOUR FINGER AWAY FROM THE TRIGGER.**
- 4. With your “support hand” (opposite of your “shooting hand”), grasp the revolver in a region that will not interfere with your shooting hand’s grip nor with movement of the hammer or trigger. Your “support hand” should now be able to both support the weight of the gun and easily maintain control over the orientation of the gun. When placing your support hand, be mindful of keeping your hands and fingers away from the muzzle and the gap at the front of the cylinder. (See Figure 3.)**
- 5. Place the thumb of your shooting hand onto the hammer spur and firmly rotate the hammer back very slightly to disengage it from the trigger and hold it in this position. Be mindful to maintain full control over the hammer as it is under considerable spring load.**

---

6. With the index finger of your shooting hand, depress the trigger just enough so that the hammer will be allowed to rotate forward. At the instant the hammer is clear of the trigger and still able to rotate forward, IMMEDIATELY RELEASE THE TRIGGER and continue lowering the hammer in a slow and controlled manner until it comes to rest at the fully forward position. (See Figure 4.)

**NOTE: It is imperative that the trigger is released prior to proceeding with lowering of the hammer so that the integral safety mechanism may help prevent a discharge if your thumb unintentionally slips off the hammer.**

Practice this important gun handling skill with an unloaded revolver until you have developed the proper control and “touch” to decock your revolver safely. The key to safe decocking is having the weight and orientation of the revolver controlled with the “support hand” while the thumb and index finger of the “shooting hand” control the hammer and trigger.



# CYLINDER REMOVAL

---

1. Be sure the hammer is forward.
2. Hold revolver in right hand with index finger of your left hand against the front of the ejector latch housing. With left thumb move ejector latch to the extreme forward position, (ENSURE THAT YOUR HANDS AND FINGERS ARE CLEAR OF THE MUZZLE WHEN USING THE LATCH). At the same time, swing out the cylinder to the left by pressing right index finger against it. (See Figure 1.1.)
3. Lay the firearm down flat on its shooter's right-hand side.
4. Support the cylinder with your right hand to prevent it from falling over.
5. Using a small punch or equivalent tool, depress the link pivot pin through the access hole located in the lower, front area of the frame. (See Figure 5.)
6. With the link pivot pin fully depressed, begin pulling the cylinder and crane link assembly away from the frame. As the crane link is sliding out of its slot in the frame, you will feel a "click" as the link pivot pin disengages from the crane link.

---

7. Continue slowly pulling the cylinder and crane link assembly away from the frame as you begin to slowly retract the punch, releasing the link pivot pin.

8. Once the punch has been fully retracted from the hole in the frame and crane link, the cylinder and crane link assembly can now be removed from the frame.



# CYLINDER REINSTALLATION

---

1. Be sure the hammer is forward.
2. Lay the firearm down flat on its shooter's right-hand side.
3. Ensure that the cylinder stop spring and link pivot pin are contained in their hole in the lower, front area of the frame. If they have fallen out, the spring should go into the hole first followed by the link pivot pin with its enclosed detent end facing the muzzle end of the revolver.



4. Using a small punch or equivalent tool, fully depress the link pivot pin through the access hole located in the lower, front area of the frame. (See Figure 6.)
5. With the link pivot pin fully depressed, align the crane link and begin sliding it into the slot in the frame while directing the free end of the crane link toward the area of the depressed link pivot pin.
6. Insert the crane link into the slot far enough so that its free end is partially covering the link pivot pin hole and then hold it firmly in this position as you begin to retract the punch.
7. Retract the punch fully from the hole in the frame and then continue sliding the crane link's hole into full alignment with the link pivot pin. Once aligned, the link pivot pin will "click" into place under spring force, completing the reinstallation process.

# MAINTENANCE/LUBRICATION

---

1. Swing out the cylinder, ensure that the firearm is unloaded and clear of any ammunition.
2. Using a bronze bristle brush of a size appropriate to the caliber and your preferred gun cleaning solvent, slide the brush into the barrel, letting it twist naturally with the rifling grooves of the barrel bore. You want to follow these grooves naturally with the brush to clean inside them. From the muzzle end, push the brush all the way through the barrel bore, then pull the brush back through the opposite way. The brush should be pushed the full length of the barrel several times.
3. After brushing, attach a solvent coated swab to a cleaning rod and swab the full length of the barrel several times or until clean.
4. For cleaning of the cylinder's nine individual chambers, the same procedure as used in cleaning of the barrel bore should be used.
5. Using your preferred gun oil, run a lightly oiled swab through the barrel bore and each of the nine chambers.
6. A few drops of your preferred gun oil should be applied to the action internally near the pivot point of the hammer. Retract the hammer first, then work the trigger double action a few times to distribute the oil. The same procedure applies to the cylinder, crane link, ejector and the ejector latch slot in the housing affixed to the barrel.

# CYLINDER BLAST WARNING

---

When fired, all revolvers discharge gas and particles through the clearance gap between the front of the cylinder and rear of the barrel. These gases and particles can be projected sideways at a high velocity, potentially causing injury to the shooter or to persons standing too close while the revolver is being fired. The shooter's hands and fingers as well as any bystanders should always stay safely rearward of the clearance gap when firing. (See Figure 7.)





# UNUSUAL CONDITIONS

---

## EXTREME COLD

Clean and lubricate the firearm with gun lubricant. Keep it moisture free. Operate controls through their entire range at intervals to keep them from freezing solid. When your firearm is not being used and kept outside, protect it with a cover.

## HOT CLIMATES

Clean and inspect the firearm more frequently to help prevent and protect from corrosion. When handling, make certain to wipe dry, as moisture could cause corrosion. After drying, lubricate the firearm.

## DUSTY/SANDY AREAS

Keep dust and sand out of components and mechanisms of the firearm.

## PROJECTILE LODGED IN BORE

**WARNING** If a round is fired wherein the report is noticeably more quiet than normal or the recoil impulse is noticeably softer than normal, **CEASE FIRE IMMEDIATELY**. Keep the muzzle of the firearm pointed in a safe direction and clear the firearm per the procedure previously detailed in this manual. If a projectile is lodged in the barrel bore, **DO NOT** attempt to remove it; discontinue use of the firearm and contact Diamondback Firearms for further assistance.

# **ALWAYS PRACTICE SAFE FIREARMS HANDLING**

---

**WARNING: IF THIS FIREARM IS CARELESSLY OR IMPROPERLY HANDLED, UNINTENTIONAL DISCHARGE COULD RESULT AND COULD CAUSE INJURY, DEATH, OR DAMAGE TO PROPERTY.**

**CAUTION: CAREFULLY READ THIS INSTRUCTION MANUAL PRIOR TO LOADING AND FIRING THIS FIREARM. FOLLOW ALL INSTRUCTIONS ON THE PROPER HANDLING AND SAFE USE OF THIS FIREARM - LIVES MAY DEPEND ON IT!**

**CAUTION: USE ONLY CLEAN, DRY, HIGH QUALITY COMMERCIALY MANUFACTURED AMMUNITION IN GOOD CONDITION which is appropriate for your firearm.**

**A SAFETY NOTE REGARDING LEAD...** Discharging firearms in poorly ventilated areas, cleaning firearms, or handling ammunition may result in exposure to lead, a substance known to cause birth defects, reproductive harm, and other serious physical injury. Always have adequate ventilation. Wash hands thoroughly after exposure.

# WARNING

---

## ALTERATIONS & MODIFICATIONS

Altering or modifying parts is dangerous and will void the product's warranty. This Diamondback Firearms product was manufactured to perform properly with the original parts as designed. It is your duty to make sure any parts you buy are made for this product and are installed correctly and that neither the replacements nor the originals are altered or changed. Your Diamondback Firearms product is a complex, precision tool with many parts whose proper relationships must be maintained for proper and safe operation. Putting a firearm together incorrectly or with improper or modified parts can cause malfunctions which may result in damage to the firearm and/or other personal property and may also result in serious personal injury or death to you and/or others.

Always have any work other than what is described in this manual performed by a qualified gunsmith or by Diamondback Firearms; doing otherwise will void your product's warranty.

# SERVICE

---

Should your firearm need adjustment, refinishing, or repair, it should be returned to the factory, **unloaded.**

When shipping the firearm, be sure to adhere to the following rules:

Federal Firearms Licensees are required to send an updated copy of their FFL with the return of a repair.

Firearms and contents must be shipped in a proper cardboard box.

Please do not ship with ammunition, it will not be returned.

You are responsible for knowing your state and federal firearm laws.

Individuals who wish to return the firearm for service can do so by shipping it to the address below. No return authorization number is required.

**Any firearm shipped for service must have a child safety lock and key with it. If not then DIAMONDBACK FIREARMS will include one upon return at the owners expense.**

Include a letter of instruction, your full name, address, telephone number, and the firearm's serial number. This will ensure prompt service and handling. Once your firearm has been received, anything other than warranty work will receive a quotation. You will be notified of full charges and no work will commence before your approval of the quote has been obtained.

DIAMONDBACK FIREARMS accepts payments in the form of money orders, American Express, Discover, Mastercard and Visa. Please return your firearm to:

**Diamondback Firearms, LLC**  
Service Dept.

3400 Grissom Pkwy.  
Cocoa, FL 32926  
1.877.997.6774

# INSTALLING EXTERNAL LOCKING DEVICE —

It is important to use the locking device on your firearm when it is being stored or immediate use is not planned. Keep the muzzle pointed in a safe direction and your fingers outside of the trigger guard at all times.

## Installing the Factory Supplied Locking Device

1. Be sure the firearm and its cylinder are completely unloaded and contain no cartridges or cartridge cases.
2. Swing out the cylinder as described in the “Loading and Firing” section on page 8 of this manual.
3. Loop the cable through the cylinder’s opening in the frame and back through the trigger guard, behind the trigger. (See Figure 8.)
4. To lock: With the key turned to the farthest clockwise position, insert the loose end of the cable into the padlock. Turn the key counterclockwise and remove the key.
5. Once the lock is securely closed, pull firmly on the lock to test the connection and be sure it is locked. Do not



# **DIAMONDBACK FIREARMS, LLC.**

---

## **LIMITED LIFETIME WARRANTY**

This "Limited Lifetime Warranty" has been drafted to comply with the MAGNUSON-MOSS WARRANTY FEDERAL TRADE COMMISSION IMPROVEMENT ACT which is effective for goods manufactured on or after December 31, 1976. DIAMONDBACK FIREARMS, LLC. warrants that this firearm was originally manufactured free from defects in material and workmanship.

DIAMONDBACK FIREARMS, LLC. agrees to correct any defect in material and/or workmanship for the original purchaser by repair or replacement ONLY. Proof of purchase required. A service or handling charge may be applied at the company's discretion.

DIAMONDBACK FIREARMS, LLC. will not be responsible for defects resulting from careless handling, unauthorized adjustments or modifications, corrosion, neglect, abuse, failure to provide reasonable and necessary maintenance as described by this owners manual. Damage caused by hand loaded and/or reloaded or improper ammunition or damage caused from firing with any obstruction in the barrel will not be warranted. This warranty does not apply to ordinary wear and tear of any parts, including metal, plastic, or any other material used to manufacture this product, as well as all surface finishes. Diamondback does not warranty aftermarket parts or damage or issues caused by them.

---

**Under no circumstances shall DIAMONDBACK FIREARMS,LLC. be responsible for incidental or consequential damages with respect to economic loss or injury or property damage, whether as a result of breach of express or implied warranty, negligence or otherwise. Some states do not allow the exclusion or limitation of incidental or consequential damages, so the above limitation or exclusion may not apply in certain cases.**

**If you need to return your gun to DIAMONDBACK FIREARMS for warranty or service-related claims, please refer to the shipping instructions in the SERVICE section of this manual.**

**This DIAMONDBACK FIREARMS Operating and Safety Instruction Manual should always be kept with your Diamondback Firearm, and in case of sale or transfer, should be passed on to subsequent owners.**

**Model:** \_\_\_\_\_

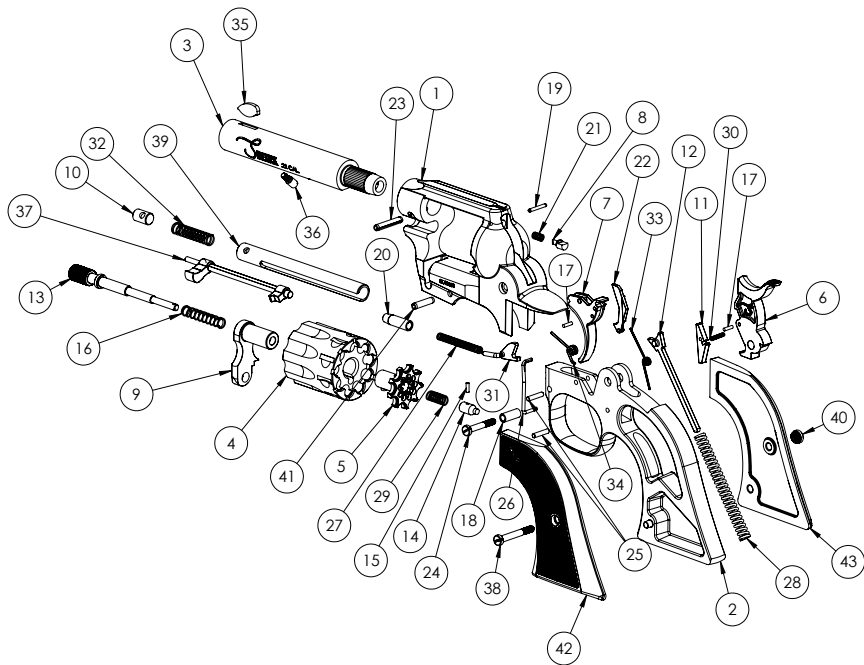
**Serial Number:** \_\_\_\_\_

**Sold To:** \_\_\_\_\_

**Date Sold:** \_\_\_\_\_

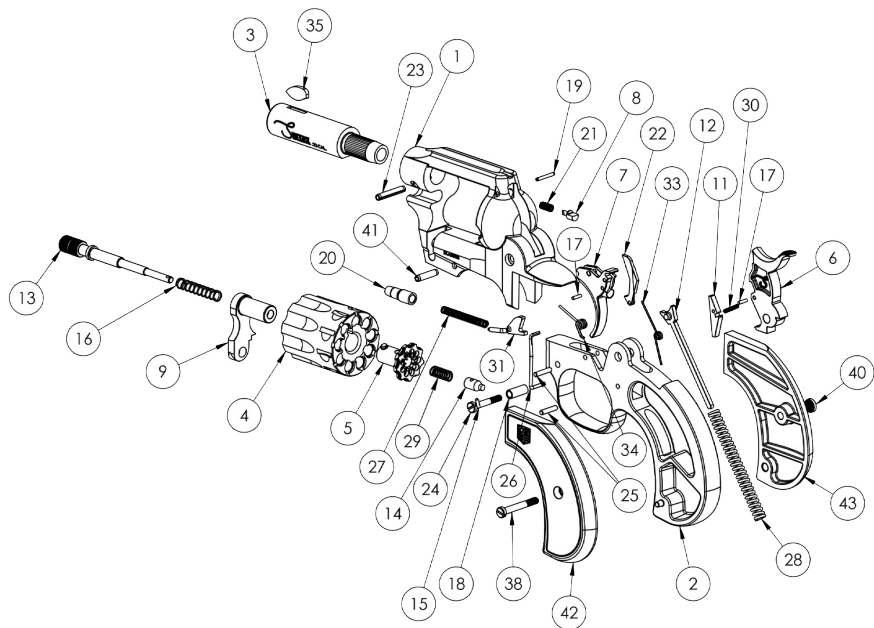
# SIDEKICK EXPLODED VIEW

---





# BIRDSHEAD SIDEKICK EXPLODED VIEW



# SIDEKICK PARTS LIST

---

- |     |                                  |     |                                    |
|-----|----------------------------------|-----|------------------------------------|
| 1.  | Frame                            | 23. | Barrel Pin                         |
| 2.  | Trigger Guard                    | 24. | Hammer Pivot Screw                 |
| 3.  | Barrel                           | 25. | Trigger Pivot Pin / Trigger Spring |
| 4.  | Cylinder                         |     | Retainer Spring                    |
| 5.  | Ejector                          | 26. | Hammer Safety Stop                 |
| 6.  | Hammer                           | 27. | Cylinder Stop Spring               |
| 7.  | Trigger                          | 28. | Hammer Spring                      |
| 8.  | Firing Pin                       | 29. | Cylinder Lock Plunger Spring       |
| 9.  | Crane Link                       | 30. | Hammer Pawl Spring                 |
| 10. | Ejector Latch Housing Plug       | 31. | Cylinder Stop                      |
| 11. | Hammer Pawl                      | 32. | Ejector Latch Rod Spring           |
| 12. | Hammer Spring Guide Head         | 33. | Hand Spring                        |
| 13. | Ejector Rod                      | 34. | Trigger Spring                     |
| 14. | Cylinder Lock Plunger            | 35. | Front Blade Sight                  |
| 15. | Cylinder Lock Plunger Pin        | 36. | Ejector Latch Housing Screw        |
| 16. | Ejector Rod Return Spring        | 37. | Ejector Latch Rod                  |
| 17. | Hammer Pawl Pin / Trigger Spring | 38. | Grip Screw                         |
|     | Retaining Pin                    | 39. | Ejector Latch Housing              |
| 18. | Hammer Sleeve                    | 40. | Escutcheon Nut                     |
| 19. | Firing Pin Retention Roll Pin    | 41. | Trigger Guard Assembly Pin         |
| 20. | Link Pivot Pin                   | 42. | Grip Panel SL, 22 CAL              |
| 21. | Firing Pin Spring                | 43. | Grip Panel SR, 22 CAL              |
| 22. | Hand                             |     |                                    |



# DIAMONDBACK

FIREARMS



Rev 02.28.23

MADE  
IN THE **USA**